

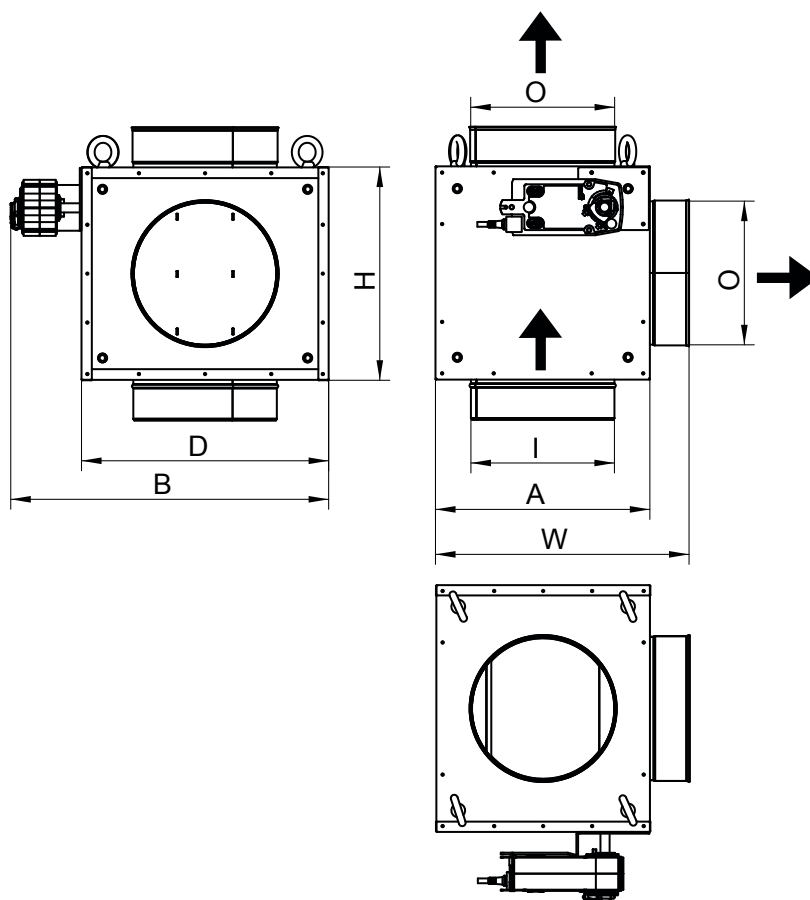
Models

Model	Item no.	Description	Max. temp [°C]	Inlet (Nipple) ø outside [mm]	Outlet (Sleeve) ø inside [mm]	Weight [kg]
BD250	8003300	Bypass damper with motor Standard connecting pipe dimension Max 600 °C	600	250.5	251.2	(30)
BD350	8003500	Bypass damper with motor Standard connecting pipe dimension Max 600 °C	600	350.5	351.2	(72)
BD400	8003600	Bypass damper with motor Standard connecting pipe dimension Max 600 °C	600	400.5	401.2	(70)
BD500	8003700	Bypass damper with motor Standard connecting pipe dimension Max 600 °C	600	500.5	501.2	(68)

Damper motors

Compatibility	Model	Item no.	Nominal voltage	Max power consumption [W]	Standby power consumption [W]	Cable size [VA]
For BD250	NFA 10 Nm	3201081	AC 24 ... 240 V, 50 / 60 Hz DC 24 ... 125 V	6	2.5	3 x 0.75 ^Ø (9.5 VA)
For BD350	GK24A-1 40 Nm	3201079	AC / DC 24 V	11	3	3 x 0.75 ^Ø (21 VA)
For BD400	GK24A-1 40 Nm	3201079	AC / DC 24 V	11	3	3 x 0.75 ^Ø (21 VA)
For BD500	GK24A-1 40 Nm	3201079	AC / DC 24 V	11	3	3 x 0.75 ^Ø (21 VA)

Dimensions



Model/Dimension	A	W	H	D	B	I*	O*	KG
BD250	374.2	442.3	371.4	429.7	560.2	250.5	251.2	30
BD350	699.2	767.3	696.4	685.4	819.4	350.5	351.2	72
BD400	699.2	767.3	696.4	685.4	819.4	400.5	401.2	70
BD500	699.2	767.3	696.4	685.4	819.4	500.5	501.2	68

* I = Inlet with nipple coupling (outer measure)
 O = Outlet with sleeve coupling (inner measure)

General specifications

- Handles flue gas temperatures up to 600 °C
- Control: Open-closed
- Normally closed with spring return safety function (can be changed to normally open with spring return safety function for different orientation)
- All parts in connection with flue gas made in stainless steel 316 (EN 1.4404)
- All external parts made in stainless steel 304 (EN 1.4301)
- 40 mm insulation
- Designed for indoor use. Can be used outside if the product is covered / encapsulated
- In conformance with 2006/42/EF
- In conformance with 2014/35/EU

Accessories

- Auxiliary switch unit for NFA damper motors (**3200984**)
- Auxiliary switch unit for GK damper motors (**2400366**)

Spare parts

- Damper motor NFA 10 Nm (**3201081**)
- Damper motor GK24A-1 40 Nm (**3201079**)