

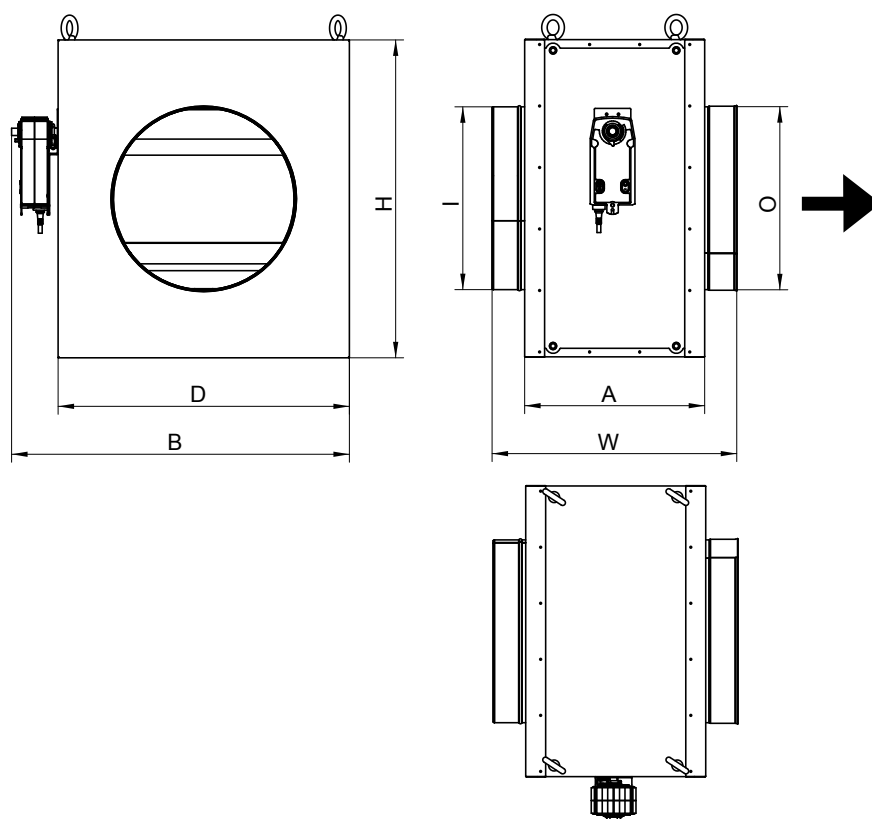
Models

Model	Item no.	Description	Max. temp [°C]	Inlet (Nipple) ø outside [mm]	Outlet (Sleeve) ø inside [mm]	Weight [kg]
DM350	8004500	On/off damper with motor Standard connecting pipe dimension Max 600 °C	600	350.5	351.2	(62)
DM350-M	8004501	Modulating damper with motor Standard connecting pipe dimension Max 600 °C	600	350.5	351.2	(62)
DM-400	8004600	On/off damper with motor Standard connecting pipe dimension Max 600 °C	600	400.5	401.2	(60)
DM400-M	8004601	Modulating damper with motor Standard connecting pipe dimension Max 600 °C	600	400.5	401.2	(60)
DM500	8004700	On/off damper with motor Standard connecting pipe dimension Max 600 °C	600	500.5	501.2	(58)
DM500-M	8004701	Modulating damper with motor Standard connecting pipe dimension Max 600 °C	600	500.5	501.2	(58)

Damper motors

Compatibility	Model	Item no.	Nominal voltage	Max power consumption [W]	Standby power consumption [W]	Cable size
For DM350	NFA 10 Nm	3201081	AC 24 ... 240 V, 50 / 60 Hz / DC 24 ... 125 V	6	2.5	3 x 0.75 ^Ø (9.5 VA)
For DM350-M	NF24A-SZ 10 Nm	3201078	AC 24 V 50 / 60 Hz / DC 24 V	3.5	2.5	3 x 0.75 ^Ø (5.5 VA)
For DM400	NFA 10 Nm	3201081	AC 24 ... 240 V, 50 / 60 Hz / DC 24 ... 125 V	6	2.5	3 x 0.75 ^Ø (9.5 VA)
For DM400-M	NF24A-SZ 10 Nm	3201078	AC 24 V 50 / 60 Hz/ DC 24 V	3.5	2.5	3 x 0.75 ^Ø (5.5 VA)
For DM500	NFA 10 Nm	3201081	AC 24 ... 240 V, 50 / 60 Hz / DC 24 ... 125 V	6	2.5	3 x 0.75 ^Ø (9.5 VA)
For DM500-M	NF24A-SZ 10 Nm	3201078	AC 24 V 50 / 60 Hz/ DC 24 V	3.5	2.5	3 x 0.75 ^Ø (5.5 VA)

Dimensions



Model/Dimension	A	W	H	D	B	I *	O *	KG
DM350/DM350-M	394.4	536.1	696.4	638.2	740.3	350.5	351.2	(62)
DM400/DM400-M	394.4	536.1	696.4	638.2	740.3	400.5	401.2	(60)
DM500/DM500-M	394.4	536.1	696.4	638.2	740.3	500.5	501.2	(58)

* I = Inlet with nipple coupling (outer measure)
 O = Outlet with sleeve coupling (inner measure)

General specifications

- Handles flue gas temperatures up to 600 °C
- Control: open-closed or modulating
- Normally closed with spring return safety function (can be changed to normally open with spring return safety function for different orientation)
- All parts in connection with flue gas made in stainless steel 316 (EN 1.4404)
- All external parts made in stainless steel 304 (EN 1.4301)
- 40 mm insulation
- Designed for indoor use. Can be used outside if the product is covered / encapsulated
- In conformance with 2006/42/EF
- In conformance with 2014/35/EU

Accessories

- Auxiliary switch unit for damper motors (**3200984**)

Spare parts

- Gasket (**2400046**)
- Damper motor NFA 10 Nm (**3201081**)
- Damper motor NF24A-SZ 10 Nm (**3201078**)