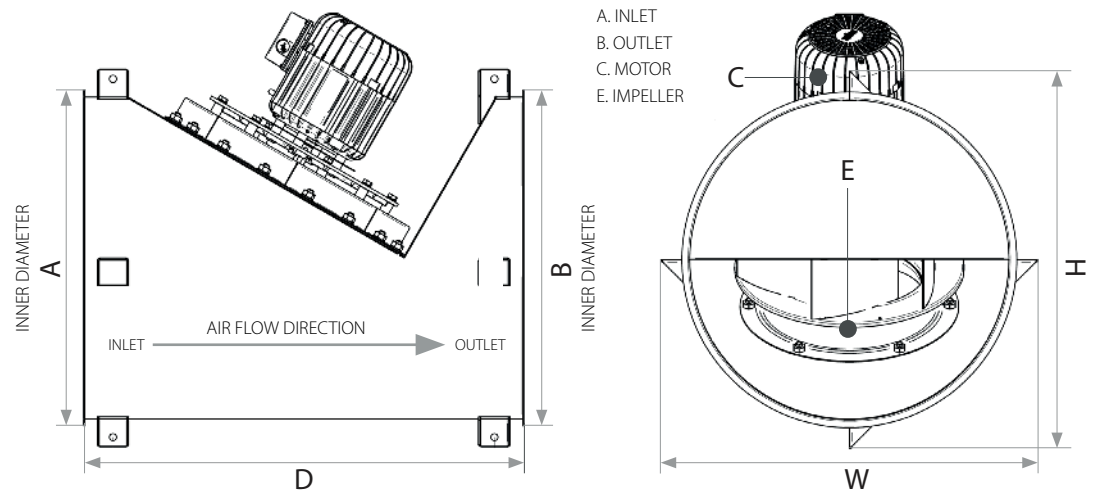


## Inline fan CFIR

The CFIR inline fan supplies mechanical draught to gas, oil and steam installations. Designed to work at continuous flue gas temperatures of up to 600 °C, the CFIR inline fan can be installed both vertically and horizontally in your duct system, indoor as well as outdoor (from -40 °C to +50 °C), providing you with more freedom of design. Stable construction suitable for pulsating

boilers. All stainless steel in accordance with EN1.4404(316L) makes it suitable for corrosive environments. New, improved and space-saving cylindrical design replaces old CFI box design for a more seamless and aesthetically pleasing integration with cylindrical ducts and chimney flues. Also designed to meet EN1.6475 demands for gas seal.

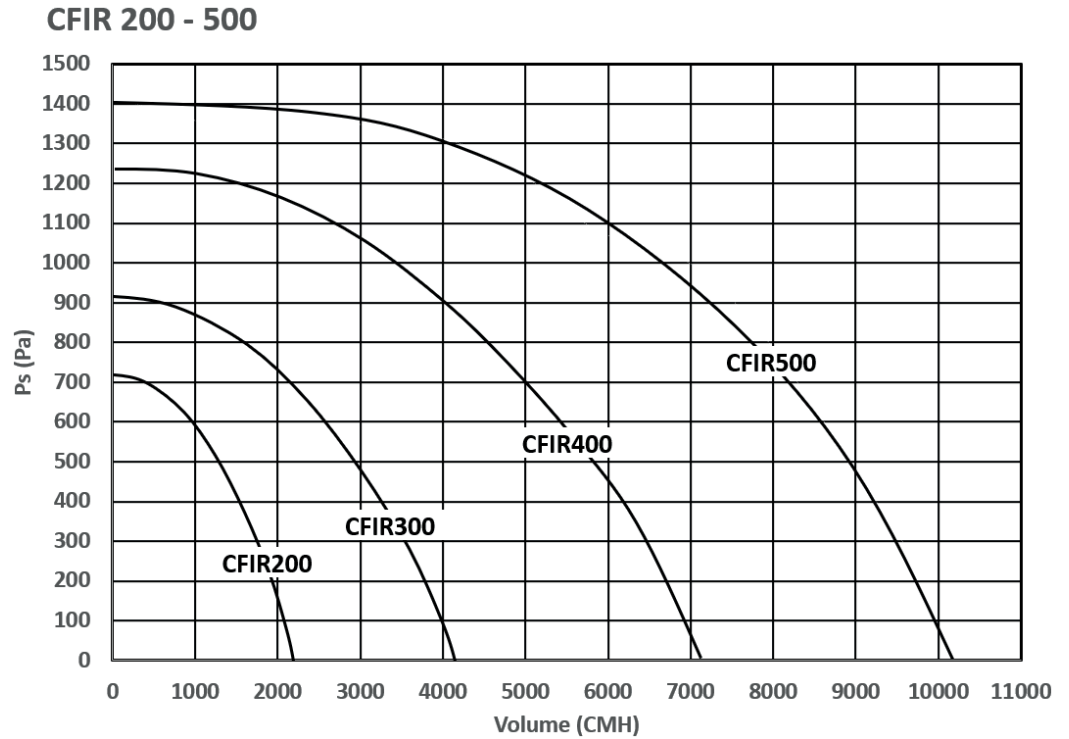


Type	Motor data				Weight [kg]	Dimensions						Temp. rating
	RPM (nominal)	RPM (max.)	Voltage [V]	Power [kW]		A [ø mm]	B [ø mm]	D [mm]	H [mm]	W [mm]	[ø mm]	
CFIR200	1750	2400	1x208-230*	0.8	23	406	406	600	568	491	300 **	600 °C continuous
CFIR300	1750	2200	3x380-480*	1.7	38	508	508	700	662	599	350 **	
CFIR400	1750	2000	3x380-480*	2.1	56	610	610	850	784	700	400 **	
CFIR500	1750	2000	3x380-480*	3.0	75	711	711	1000	859	802	500 **	

\* exodraft frequency inverter required

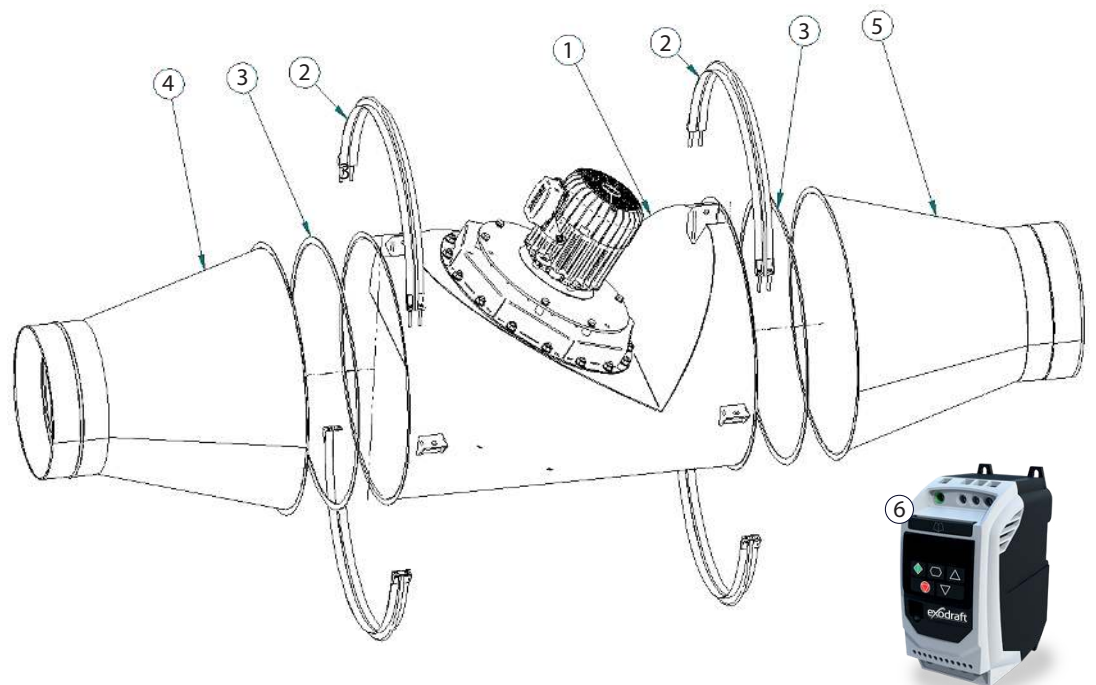
\*\* Nominal chimney connection

## Capacity diagram



## Complete solution

1. CFIR INLINE FAN
2. U-BAND (2x)
3. FLANGE GASKET (2x)
4. INLET CONE (NIPPLE COUPLING)
5. OUTLET CONE (SLEEVE COUPLING)
6. FREQUENCY INVERTER (REQUIRED)



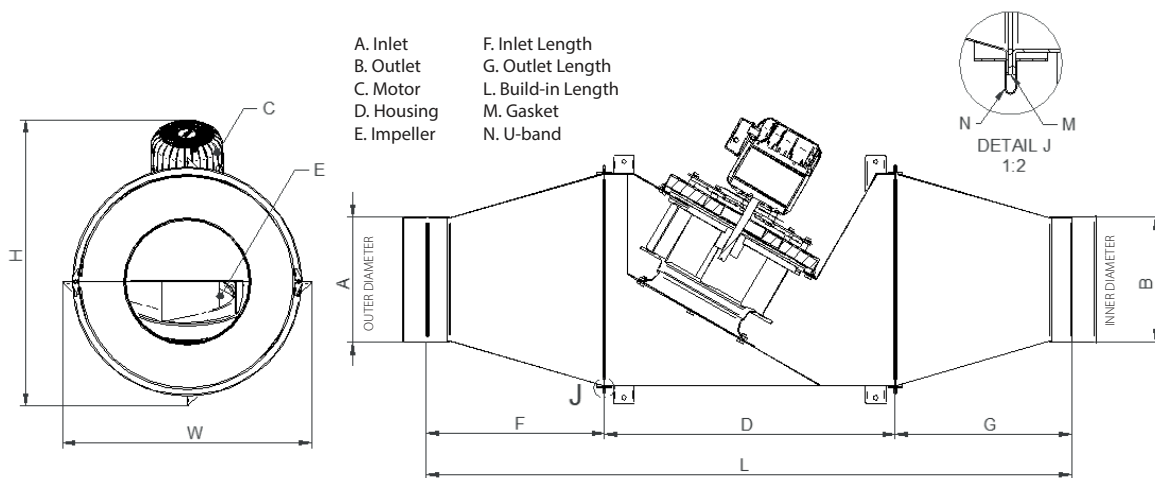
On the next page, you find an overview of the various components in different sizes, allowing you to select a matching set for the sizing you need.

**exodraft a/s**  
C. F. Tietgens Boulevard 41  
5220 Odense SØ  
Denmark

[www.exodraft.com](http://www.exodraft.com)

**exodraft**

# Configurations



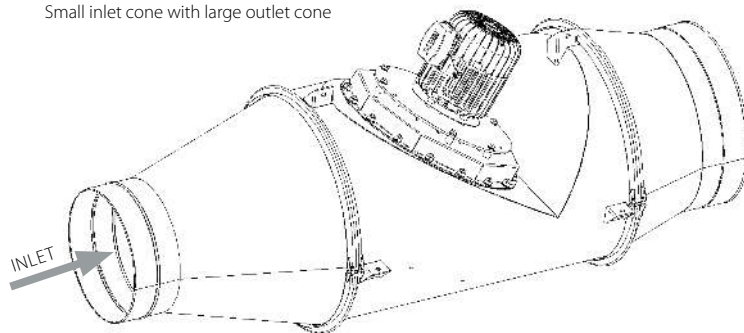
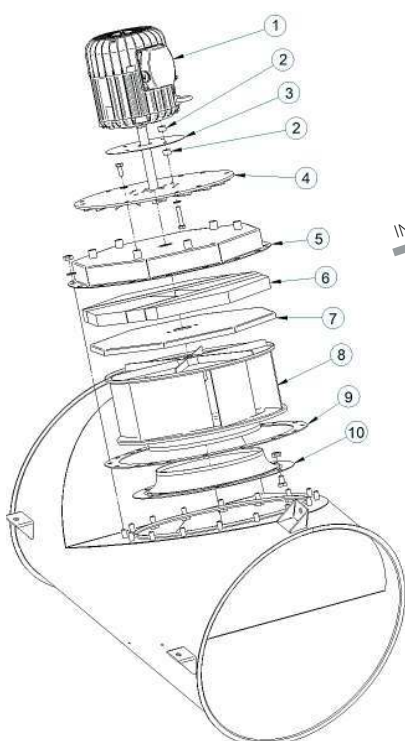
Model	Fan			Cone Inlet	Cone Outlet	U-band	Gasket	Dimensions & Weight									
	RPM (max)	Voltage [V]	Power [kW]					Weight [kg]	A [mm]	B [mm]	D [mm]	F [mm]	G [mm]	H [mm]	L [mm]	W [mm]	Chimney [mm]
<b>1 pcs.</b>				<b>1 pcs.</b>	<b>1 pcs.</b>	<b>2 pcs.</b>	<b>2 pcs.</b>										
CFIR200	2400	1x208-230*	0.8	CFIR200-STUDS250	CFIR200-MUFFE250	CFIR200-UBAND	CFIR200-PAK	30	250.5	251.3	600	338	333	568	1272	491	250**
				CFIR200-STUDS300	CFIR200-MUFFE300			29	300.5	301.3		251	246		1097		
CFIR300	2200	3x380-480*	1.7	CFIR300-STUDS300	CFIR300-MUFFE300	CFIR300-UBAND	CFIR300-PAK	50	300.5	301.3	700	431	426	662	1557	599	300**
				CFIR300-STUDS350	CFIR300-MUFFE350			48	350.5	351.3		343	339		1382		
				CFIR300-STUDS400	CFIR300-MUFFE400			47	400.5	401.3		257	251		1208		
CFIR400	2000	3x380-480*	2.1	CFIR400-STUDS400	CFIR400-MUFFE400	CFIR400-UBAND	CFIR400-PAK	71	400.5	401.3	850	435	429	784	1614	700	400**
				CFIR400-STUDS500	CFIR400-MUFFE500			67	500.5	501.3		260	255		1265		
CFIR500	2000	3x380-480*	3.0	CFIR500-STUDS500	CFIR500-MUFFE500	CFIR500-UBAND	CFIR500	93	500.5	501.3	1000	436	431	859	1867	802	500**
				CFIR500-STUDS600	CFIR500-MUFFE600			89	600.5	601.3		262	257		1519		

\* exodraft frequency inverter required

\*\* Nominal chimney connection

## Example of asymmetrical configuration

Small inlet cone with large outlet cone



1. MOTOR
2. SPACER
3. MOTOR HEAT SHIELD
4. MOTOR PLATE DOMEL
5. MOTOR MOUNTING PLATE
6. INSULATION
7. INSULATION COVER
8. IMPELLER
9. GASKET
10. INLET CONE FOR IMPELLER

Fan model	Cone (inlet)	Cone (outlet)	U-band	Gasket
<b>1 pcs.</b>	<b>1 pcs.</b>	<b>1 pcs.</b>	<b>2 pcs.</b>	<b>2 pcs.</b>
CFIR300	CFIR300-STUDS300	CFIR300-MUFFE400	CFIR300-UBAND	CFIR300-PAK

exodraft a/s  
C. F. Tietgens Boulevard 41  
5220 Odense SØ  
Denmark

www.exodraft.com

